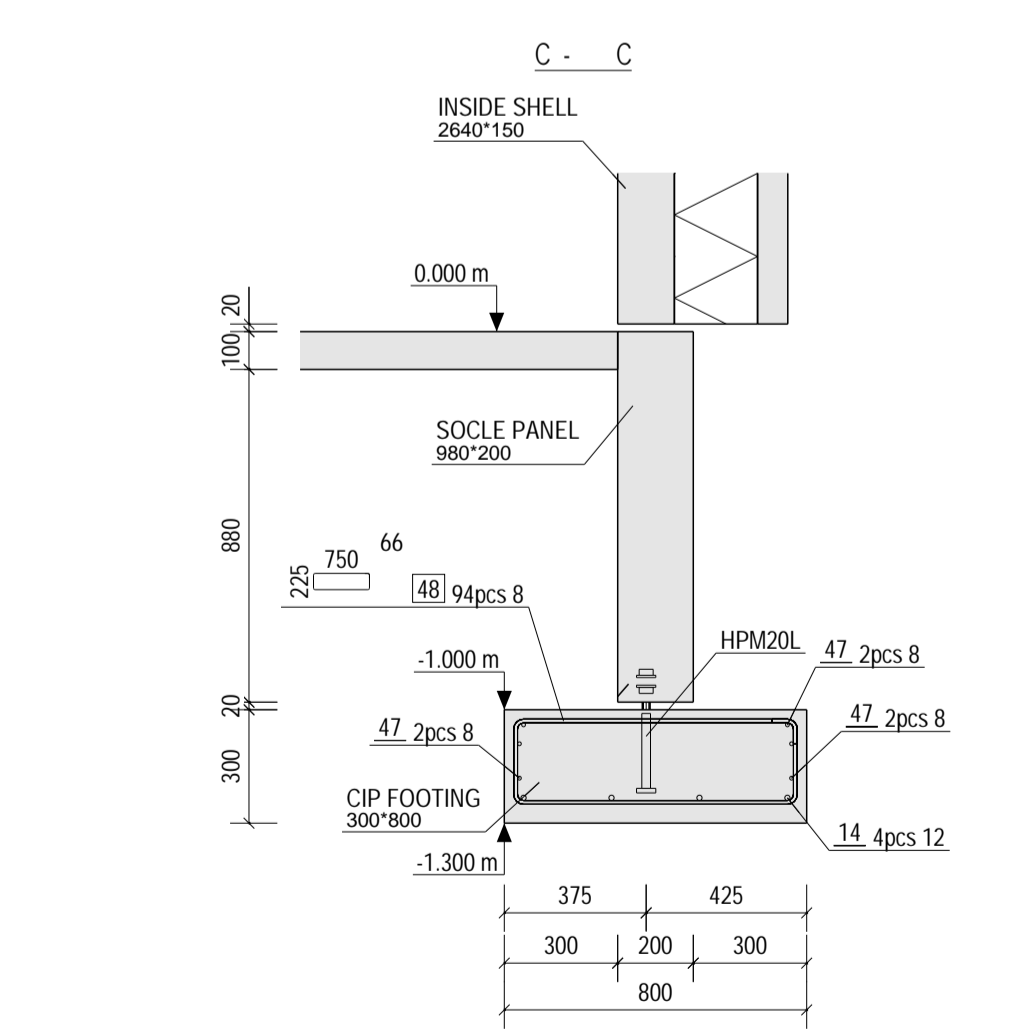
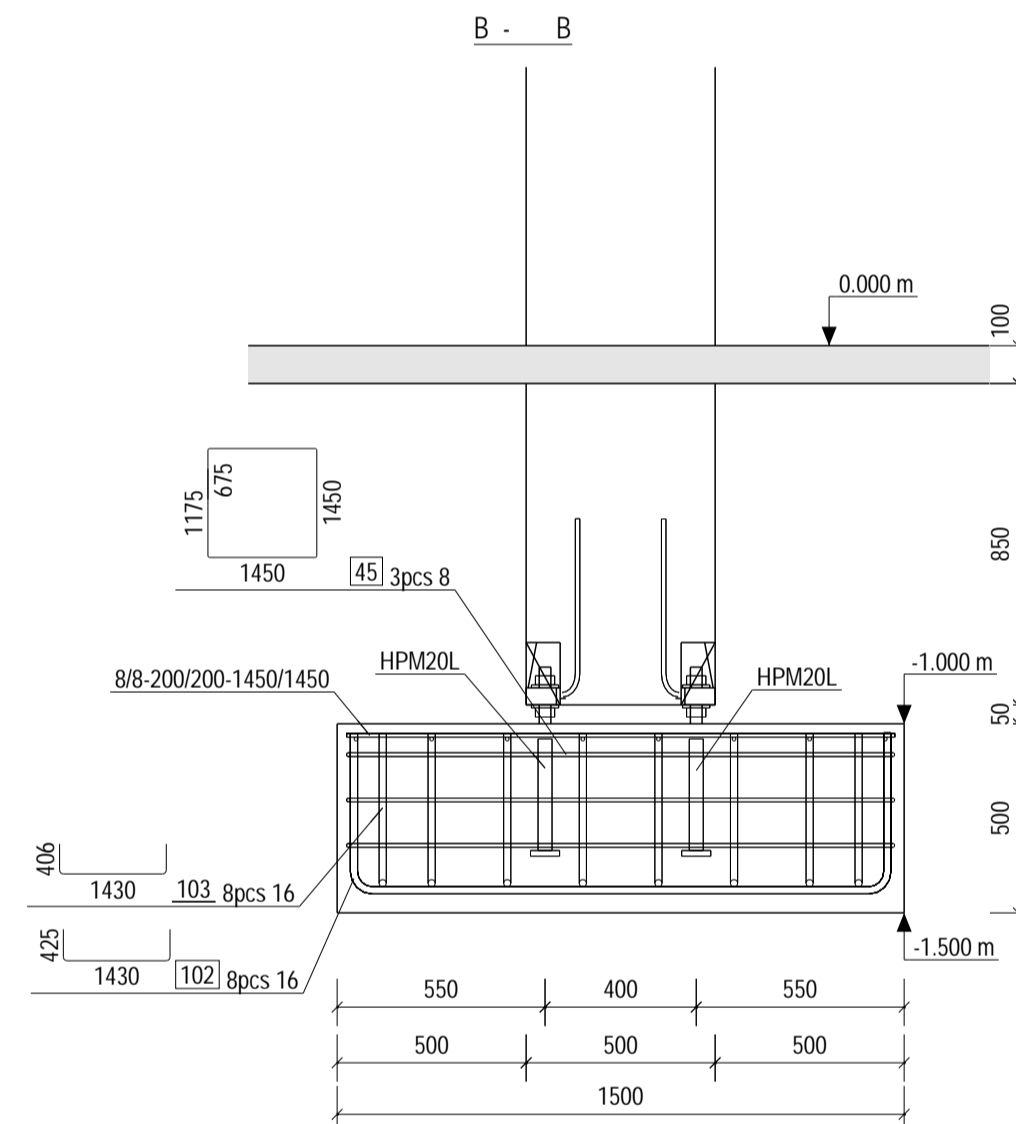
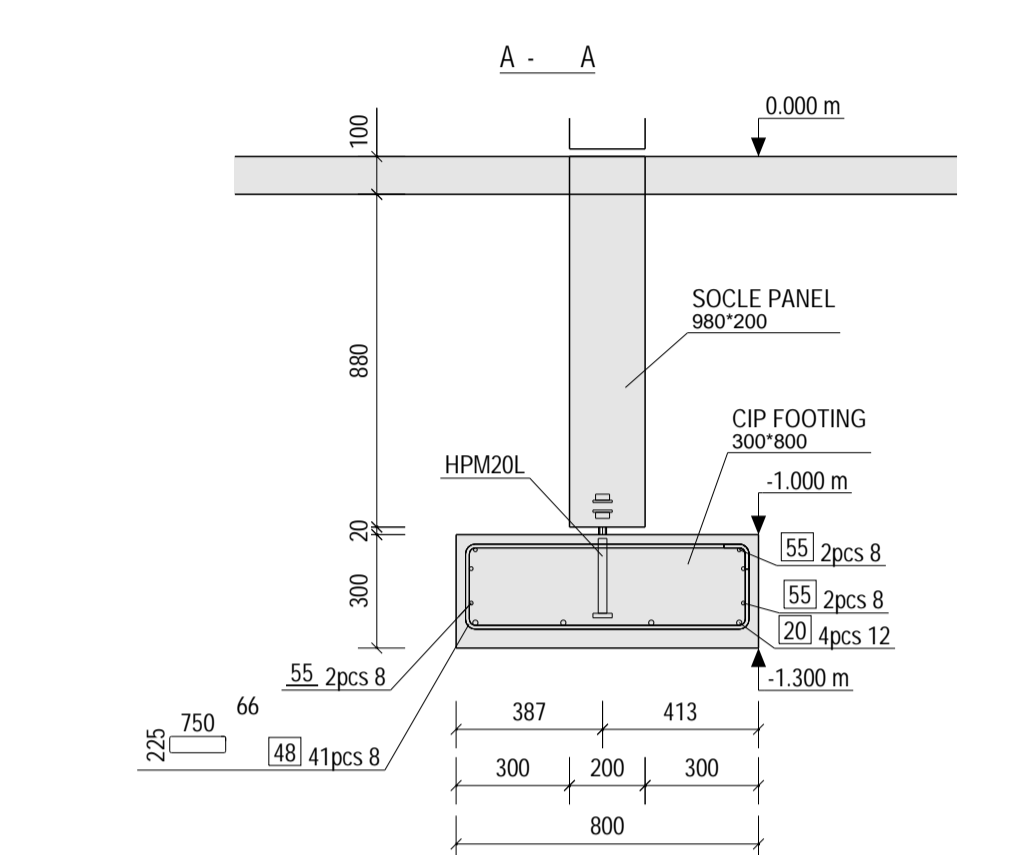
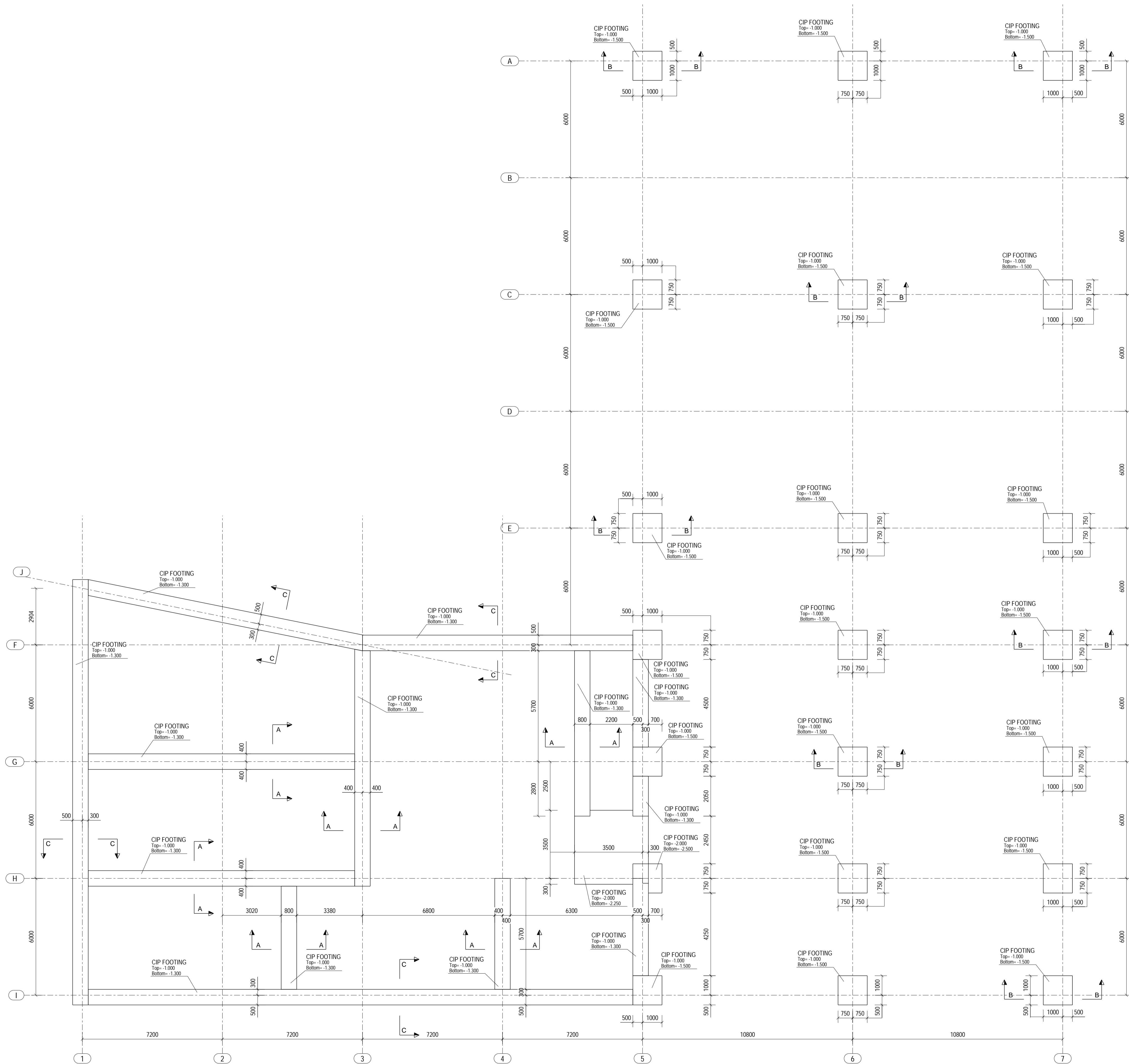


PLAN +0



Rev.	Mark	Designer	Revision description	Drawing content	Date	Scale
		Tekla Corporation				1:20 1:100
Project number		Designer		Date		Revision
1				14.03.2020		
Powered by Tekla		Trimble		Drawing number		
				FOUNDATION PLAN		