

TEKLA BASECAMP

What's new with Rebar

Amy Northcutt, P.E.
Senior Technical Consultant



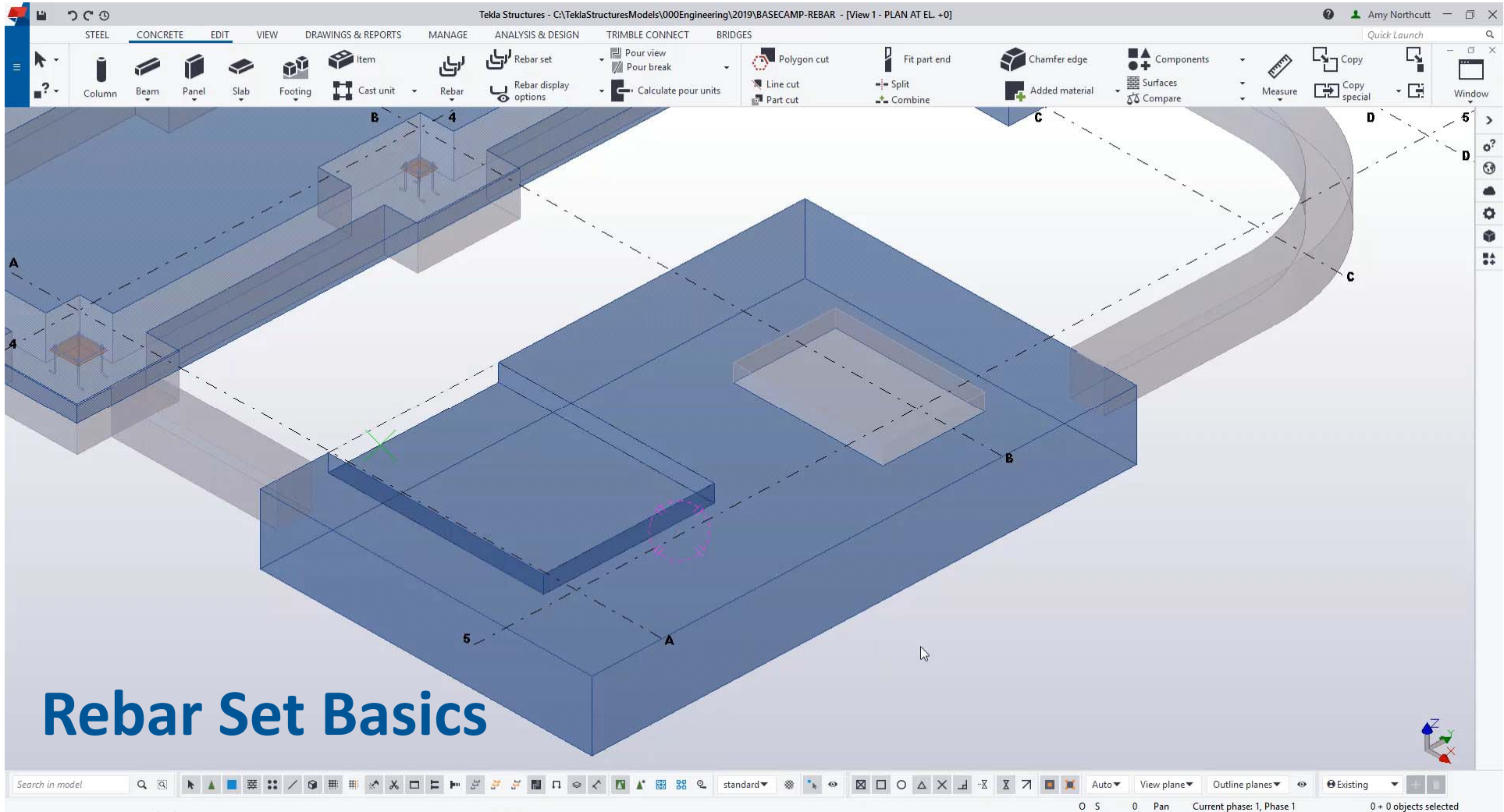
AUG. 27 - 29

2
0
1
9

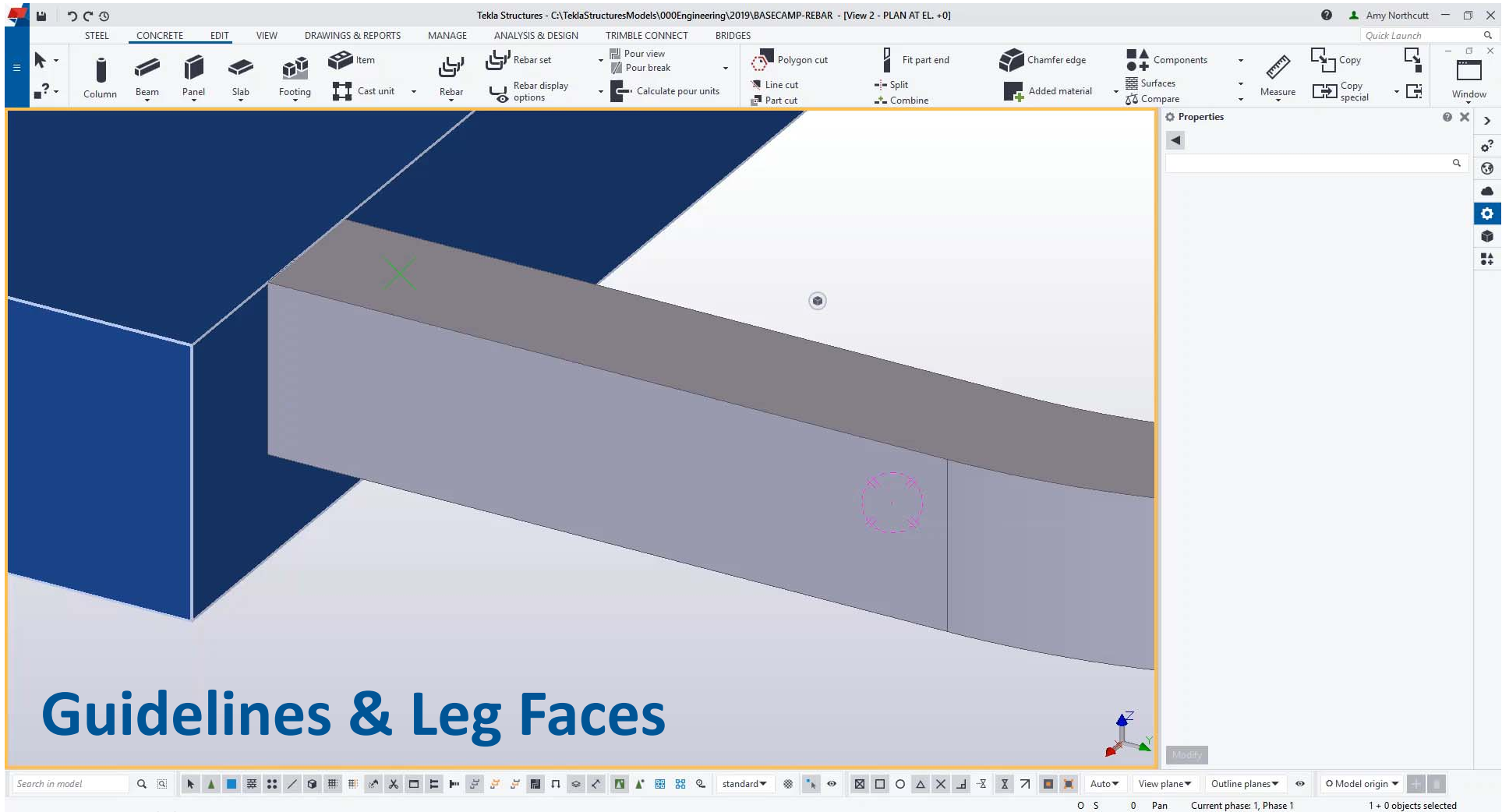


2018-2019 Rebar Updates

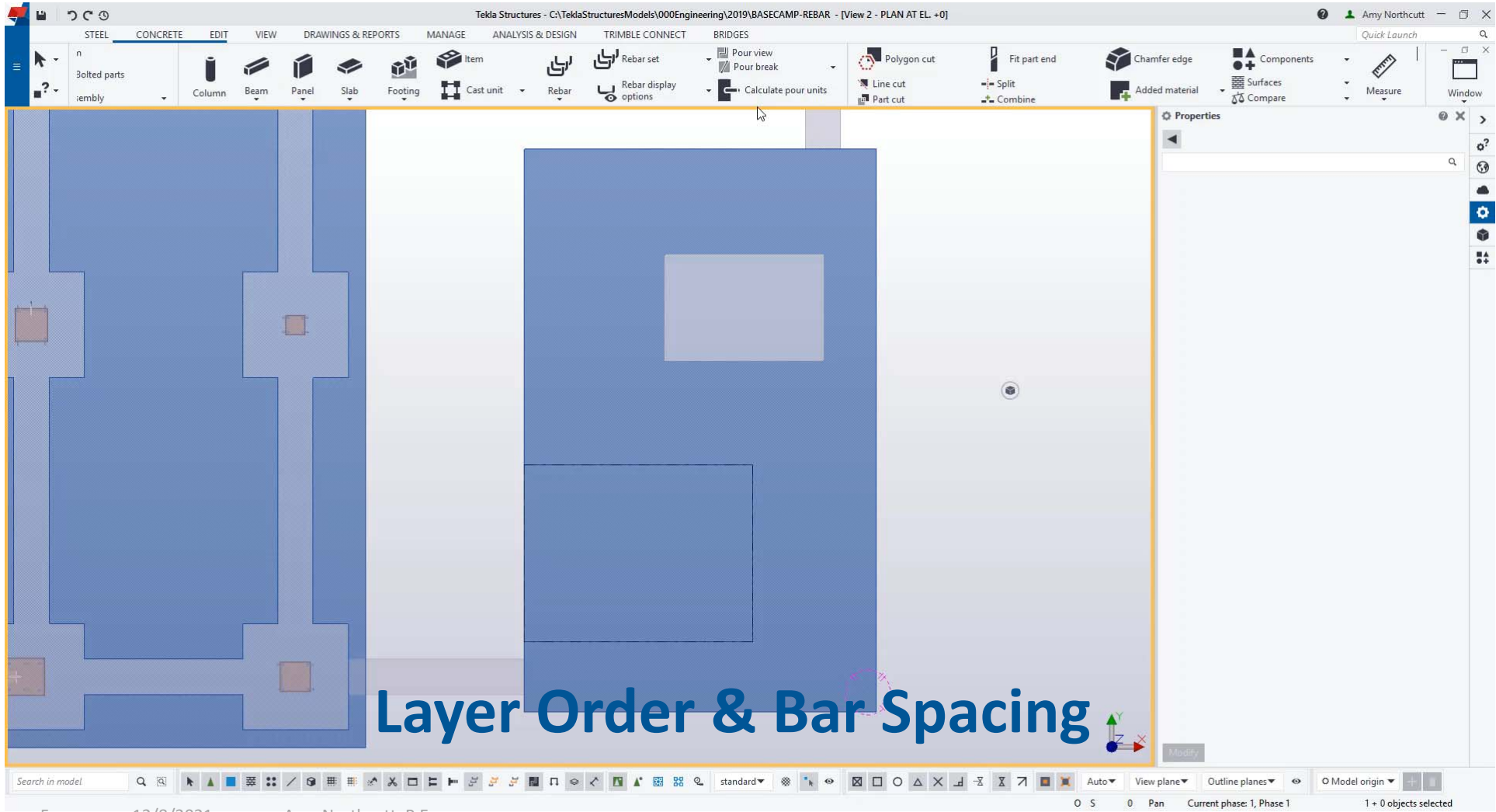




Rebar Set Basics



Guidelines & Leg Faces



Layer Order & Bar Spacing

Tekla Structures - C:\TeklaStructuresModels\000Engineering\2019\BASECAMP-REBAR - [View 2 - PLAN AT EL. +0]

STEEL CONCRETE EDIT VIEW DRAWINGS & REPORTS MANAGE ANALYSIS & DESIGN TRIMBLE CONNECT BRIGES

Bolted parts rembly Column Beam Panel Slab Footing Item Cast unit Rebar Rebar set Rebar display options Pour view Pour break Polygon cut Line cut Part cut Fit part end Split Combine Chamfer edge Added material Components Surfaces Compare Measure Window

Property Modifier

Properties

Search in model

standard

Auto View plane Outline planes Model origin

0 5 0 Pan Current phase: 1, Phase 1 1 + 0 objects selected

Tekla Structures - C:\TeklaStructuresModels\000Engineering\2019\BASECAMP-REBAR - [View 2 - PLAN AT EL. +0]

STEEL CONCRETE EDIT VIEW DRAWINGS & REPORTS MANAGE ANALYSIS & DESIGN TRIMBLE CONNECT BRIDGES

Column Beam Panel Slab Footing Cast unit Rebar Rebar display options Calculate pour units Pour view Pour break Polygon cut Line cut Part cut Fit part end Split Combine Chamfer edge Added material Components Surfaces Compare Copy Copy special Measure Window

End Detail Modifier

Search in model

standard

Auto View plane Outline planes Existing

0 5 0 Pan Current phase: 1, Phase 1 1 + 0 objects selected

Tekla Structures - C:\TeklaStructuresModels\000Engineering\2019\BASECAMP-REBAR - [View 1 - PLAN AT EL. +0]

STEEL CONCRETE EDIT VIEW DRAWINGS & REPORTS MANAGE ANALYSIS & DESIGN TRIMBLE CONNECT BRIDGES

Column Beam Plate Bolt Weld Bolted parts Assembly Item Cast unit Rebar Rebar set Rebar display options Pour view Pour break Polygon cut Line cut Part cut Fit part end Split Combine

Properties

Search in model

standard

Auto View plane Outline planes Model origin

8 12/8/2021 Amy Northcutt, P.E. 0 S 0 Pan Current phase: 1, Phase 1 0 + 0 objects selected

Tekla Structures - C:\TeklaStructuresModels\000Engineering\2019\BASECAMP-REBAR - [View 1 - PLAN AT EL. +0]

STEEL CONCRETE EDIT VIEW DRAWINGS & REPORTS MANAGE ANALYSIS & DESIGN TRIMBLE CONNECT BRIDGES

Column Beam Panel Slab Footing Cast unit Rebar Rebar display options Pour view Pour break Calculate pour units Polygon cut Line cut Part cut Fit part end Split Combine Chamfer edge Added material Components Surfaces Compare Measure Copy Copy special Window

Properties

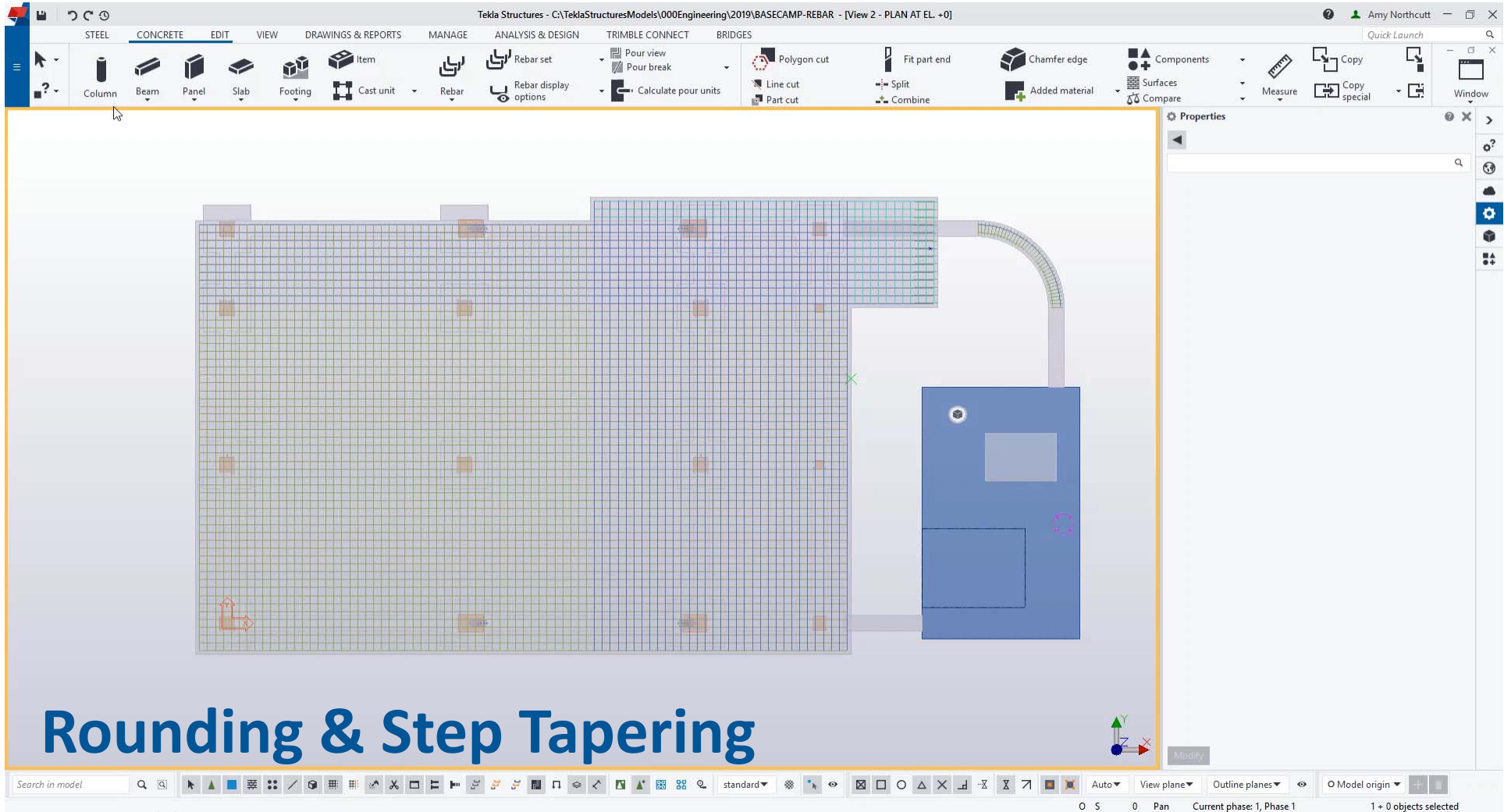
Grouping

Search in model

standard

Auto View plane Outline planes Model origin

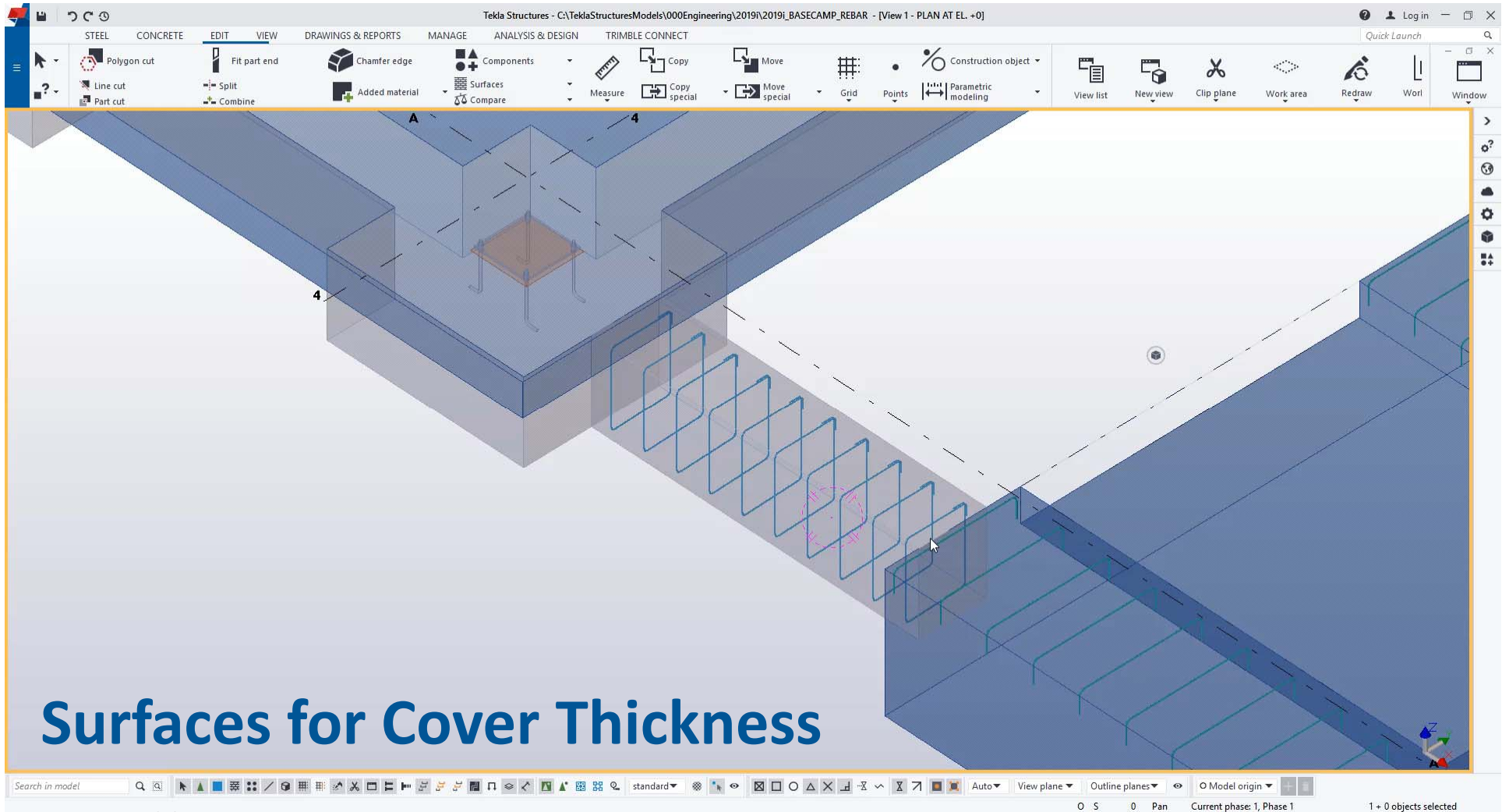
0 5 0 Pan Current phase: 1, Phase 1 1 + 0 objects selected



Rounding & Step Tapering

2019i Rebar Preview





Surfaces for Cover Thickness

Tekla Structures - C:\TeklaStructuresModels\000Engineering\2019\2019_BASECAMP_REBAR - [View 1 - PLAN AT EL. +0]

STEEL CONCRETE EDIT VIEW DRAWINGS & REPORTS MANAGE ANALYSIS & DESIGN TRIMBLE CONNECT

Document manager Drawing properties Create drawings Multidrawing Perform numbering Numbering settings

Numbering settings

- Save preliminary numbers
- Assign control numbers
- Lock/unlock control numbers

Reports Organizer Phases Clash check Convert IFC objects Layout manager Locks Tasks Sequencer Lotting Project status

A & D models Load groups Load Node Window

Properties

Manual Grouping

Search in model

standard

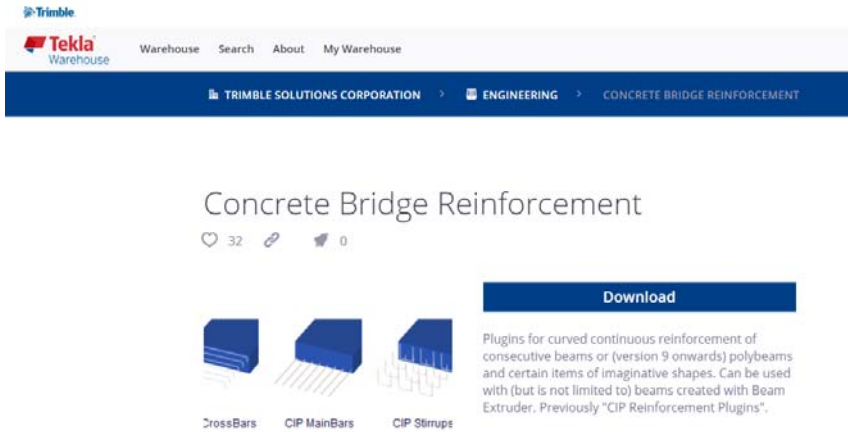
Auto View plane Outline planes Model origin

0 5 0 Pan Current phase: 1, Phase 1 1 + 0 objects selected

2019 Rebar tools for Bridges



Concrete Bridge Reinforcement Tools



See More:
Bridge Design in Tekla Structures
 with Gabriel Neves – Technical Manager for Bridges
TODAY, 1PM, HERE

